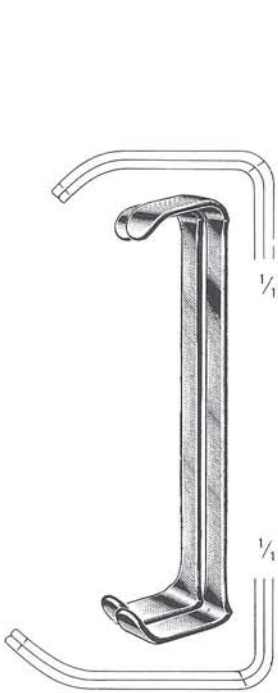
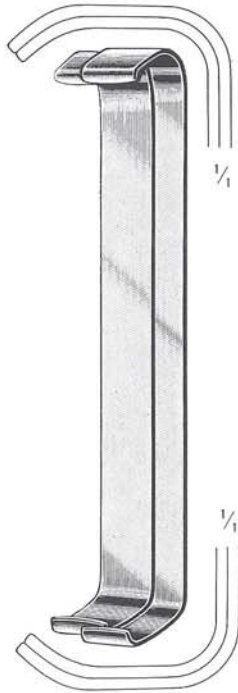


18

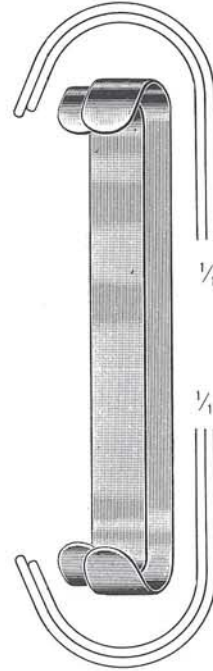
Wundhaken
Retractors
Ecarteurs
Separadores
Divaricatori



FARABEU
18.102.12
12 cm



FARABEU
18.102.15
15 cm



PARKER
18.110.13
13,5 cm



PARKER
18.110.18
18 cm



ROUX
18.120.00

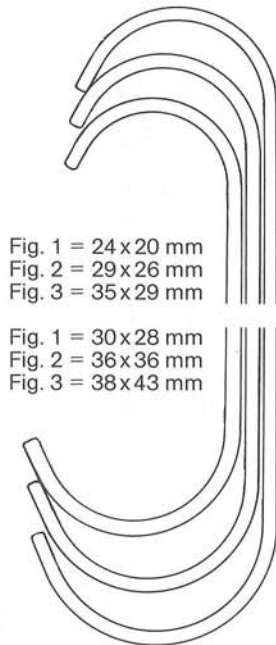


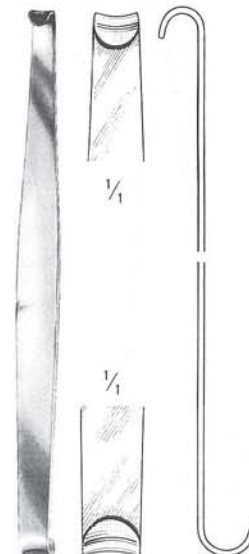
Fig. 1 = 24 x 20 mm
Fig. 2 = 29 x 26 mm
Fig. 3 = 35 x 29 mm

Fig. 1 = 30 x 28 mm
Fig. 2 = 36 x 36 mm
Fig. 3 = 38 x 43 mm

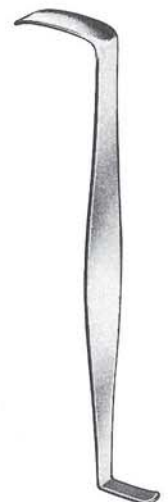
ROUX	Fig.	cm
18.120.14	1	14
18.120.15	2	15
18.120.17	3	17



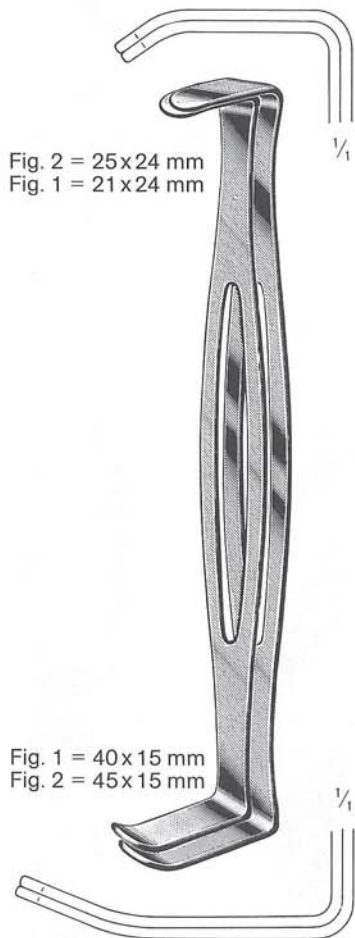
ROUX Baby
18.122.13
13 cm



ROUX mini
18.124.15
15 cm



CRILE
18.127.11
11,5 cm



US Army (PARKER-LANGENBECK)
 18.131.21
 21 cm



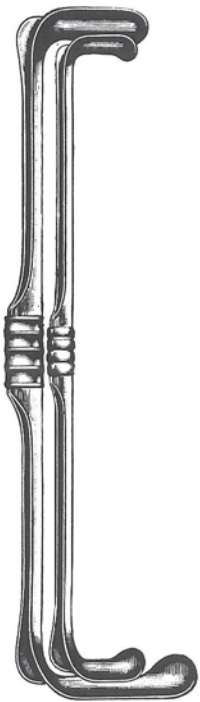
MATHIEU
 18.134.20
 20 cm



GOELET
 18.135.19
 19 cm



COLLIN-HARTMANN
 18.137.16
 16 cm



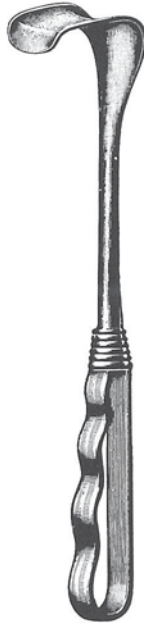
RICHARDSON-EASTMAN
18.140.00



18.150.01
28x20 mm

18.150.02
36x28 mm

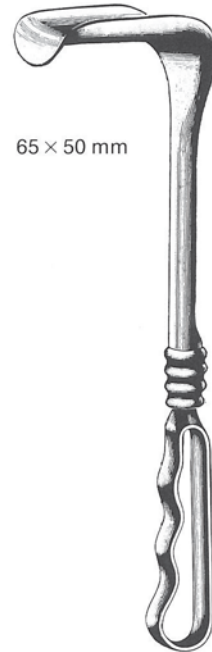
18.150.03
44x38 mm



RICHARDSON

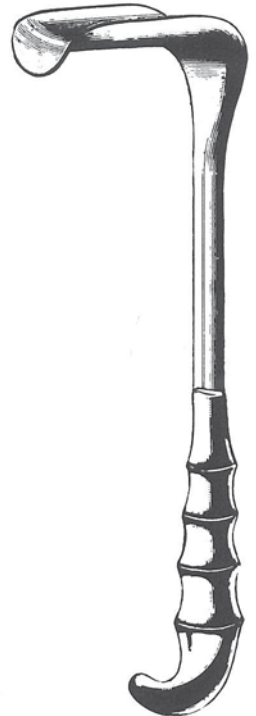


RICHARDSON Grip
18.152.25 20x25 mm
18.152.31 25x31 mm
18.152.38 38x38 mm
18.152.51 19x51 mm (Append.)
18.152.64 41x64 mm

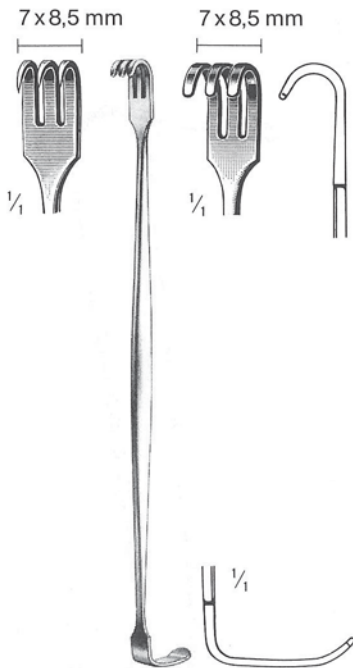


65 x 50 mm

KELLY
18.156.26
26 cm



KELLY Grip
18.158.51 38x51 mm
18.158.64 51x64 mm
18.158.76 64x76 mm
18.158.82 70x82 mm



SENN
18.160.17 17 cm 18.161.17



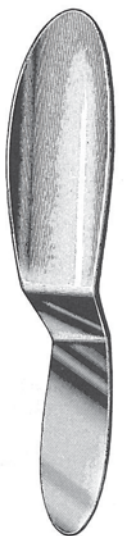
RIBBON
18.168.12 12x200 mm
18.168.17 17x200 mm
18.168.25 25x250 mm



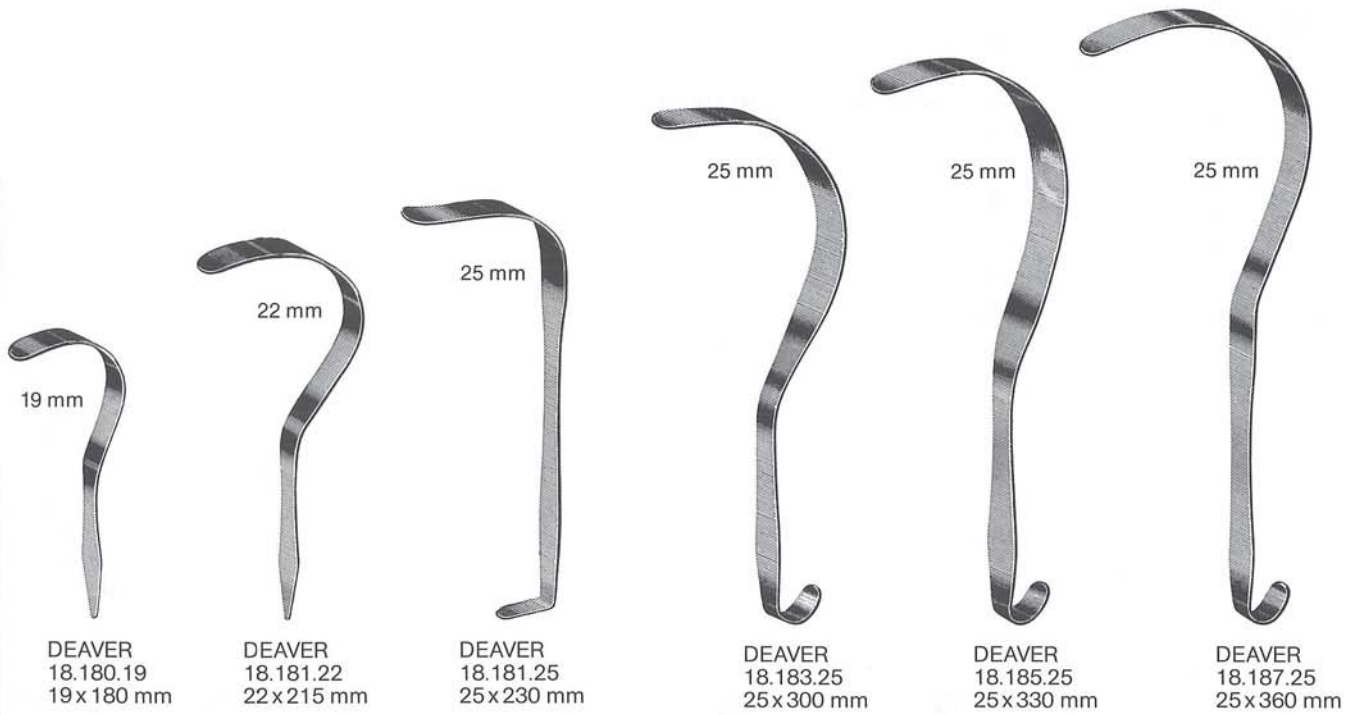
RIBBON
18.170.25 25x330
18.170.32 32x330
18.170.40 40x330
18.170.50 50x330

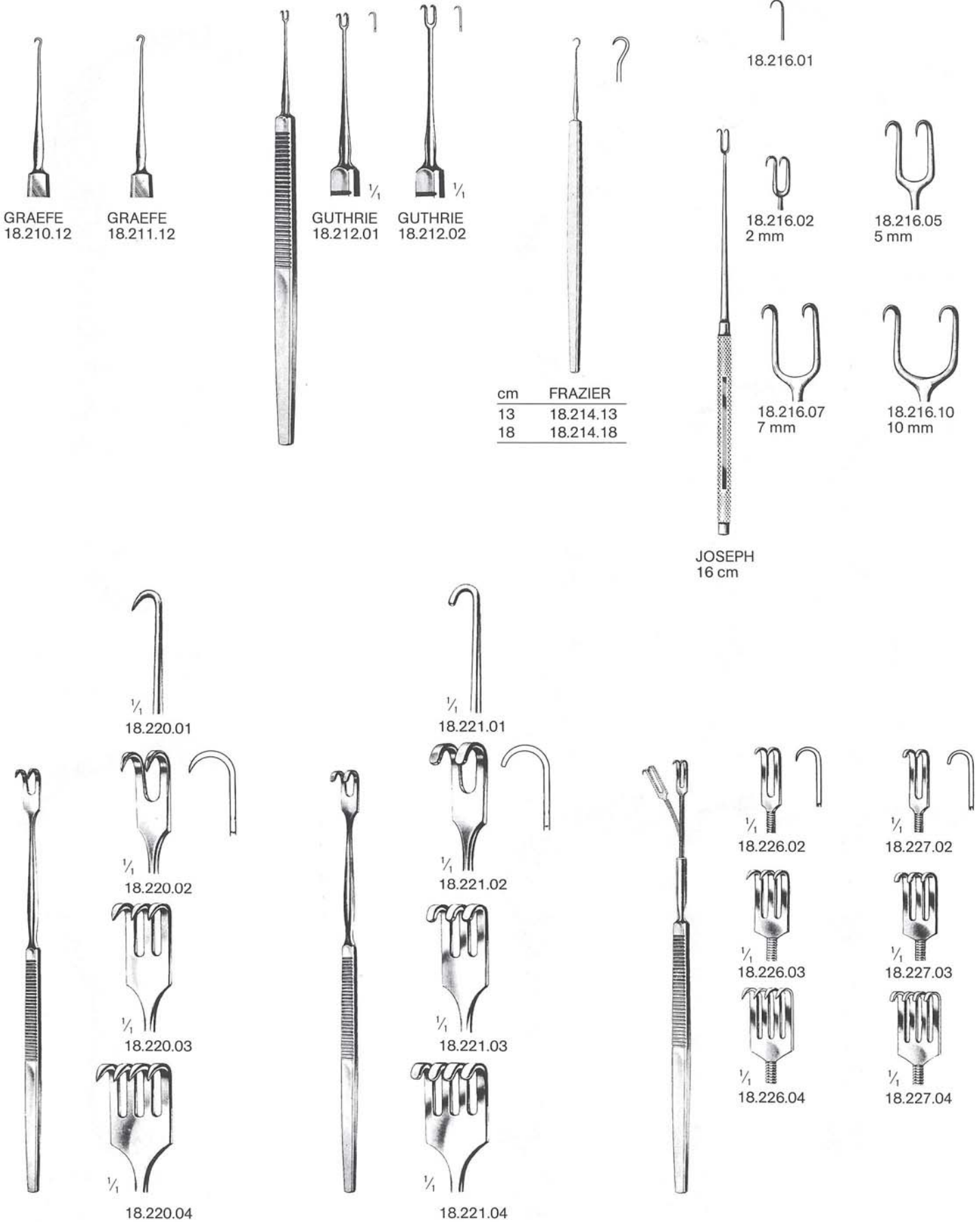


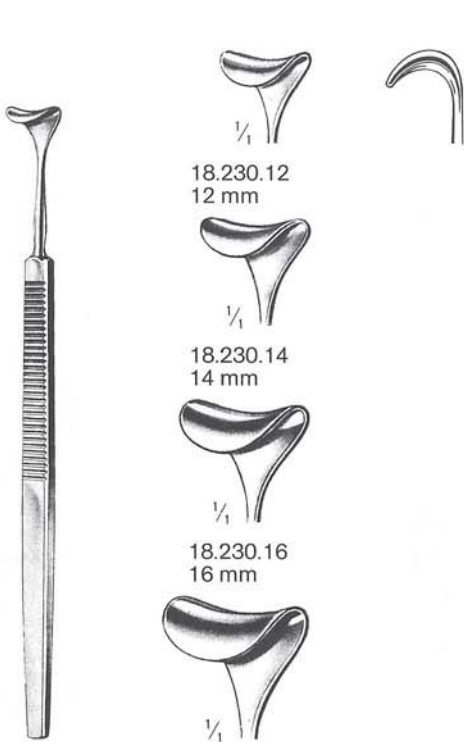
HABERER
18.174.17 17/25x200 mm
18.174.25 25/30x250 mm
18.174.37 37/45x300 mm



REVERDIN
18.175.28
28 cm







DESMARRES
16 cm

18.230.12
12 mm

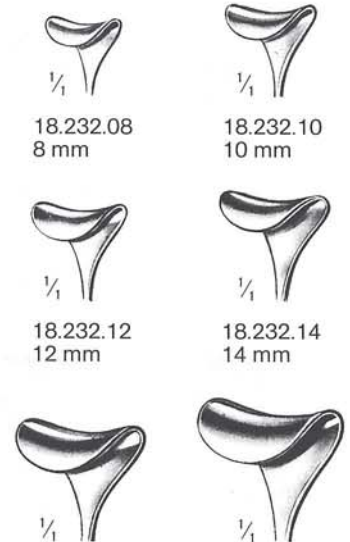
18.230.14
14 mm

18.230.16
16 mm

18.230.18
18 mm



CUSHING
20 cm



18.232.08
8 mm

18.232.10
10 mm

18.232.12
12 mm

18.232.14
14 mm

18.232.16
16 mm

18.232.18
18 mm

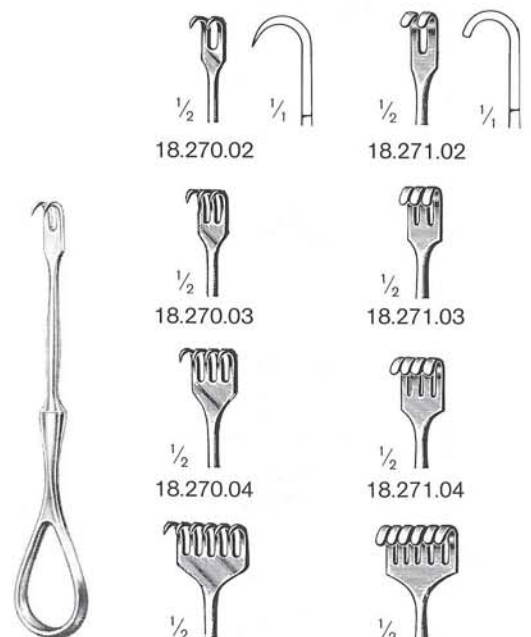


CUSHING
18.234.20
20 cm

CUSHING
18.234.21
21,5 cm



SENN-GREEN	
18.240.10	10x6 mm
18.240.20	20x6 mm



VOLKMANN
11.5 cm

18.270.02

18.271.02

18.270.03

18.271.03

18.270.04

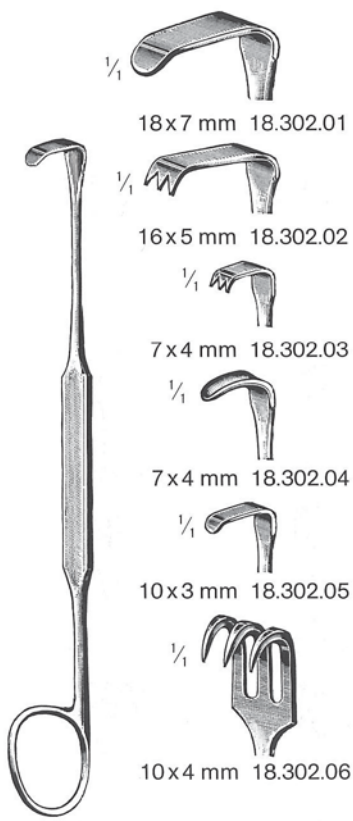
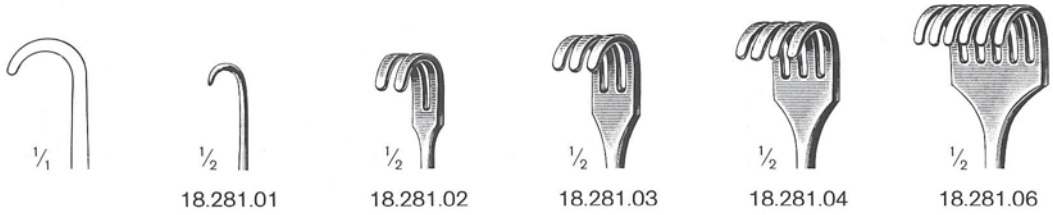
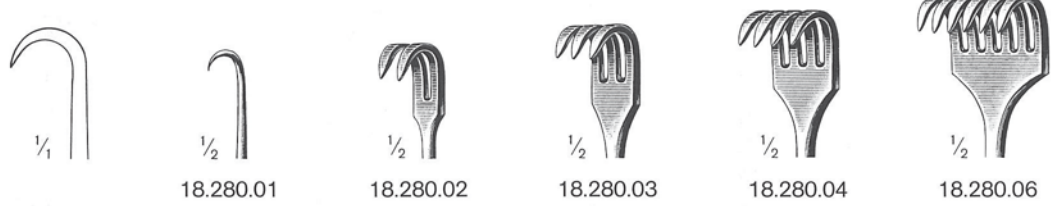
18.271.04

18.270.06

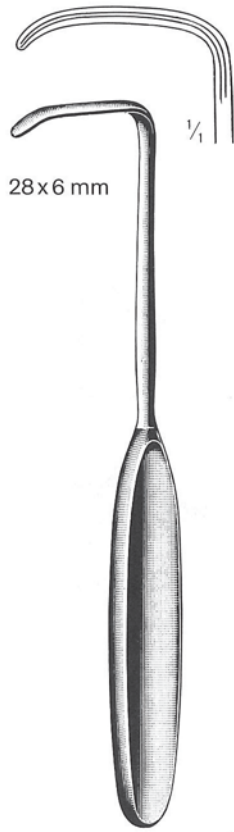
18.271.06



VOLKMANN
 21.5 cm



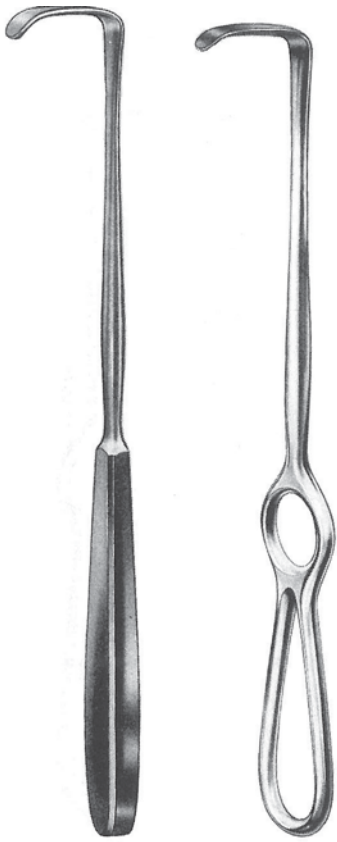
MEYERDING
 18 cm



LAHEY
 18.304.19
 19 cm



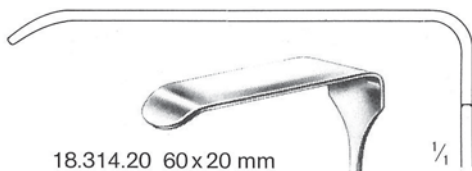
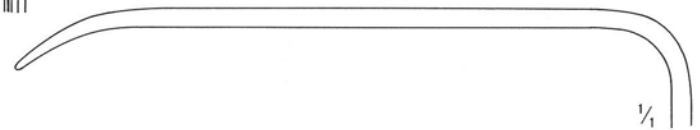
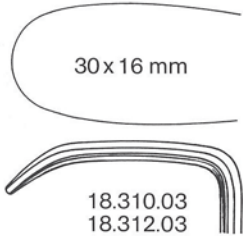
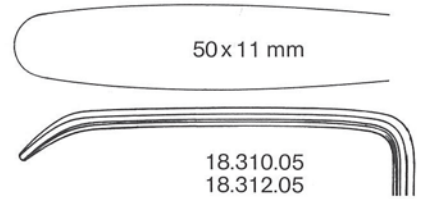
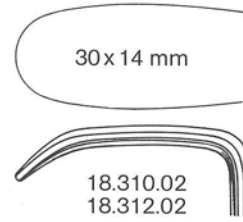
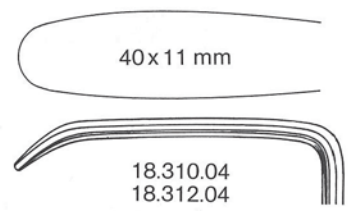
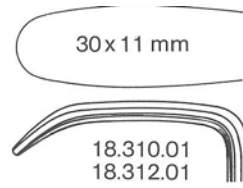
LITTLE
 18.306.20
 20 cm



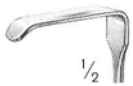
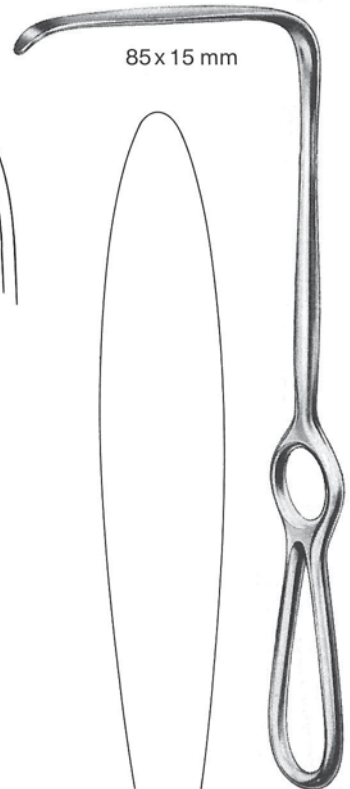
18.310.01
 - 18.310.05
 22 cm

18.312.01
 - 18.312.05
 21 cm

LANGENBECK



18.314.20 60x20 mm



18.314.07 35x7 mm



18.314.10 35x10 mm



18.314.15 35x15 mm

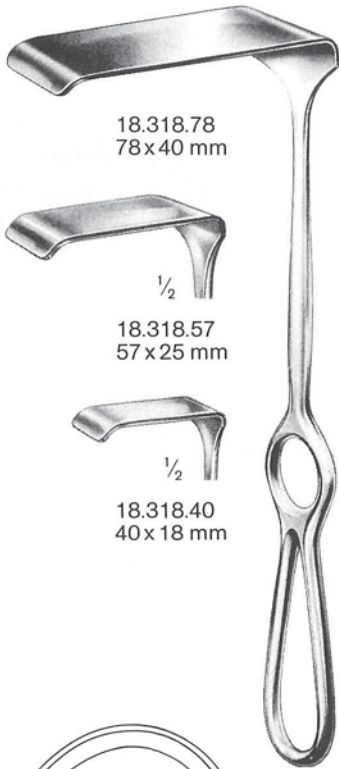


LANGENBECK
 18.314.07 - 18.314.20
 21 cm

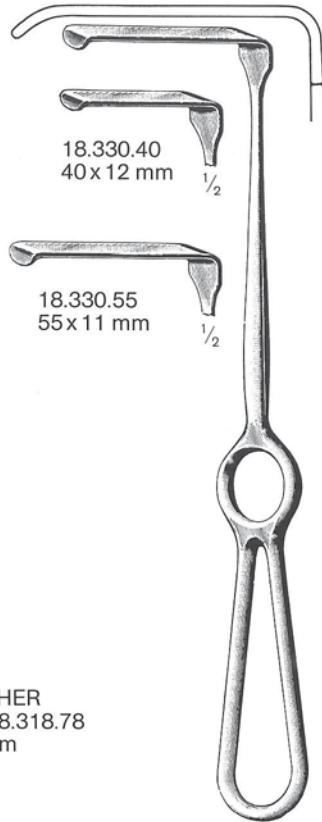


LANGENBECK
 18.315.21
 21 cm

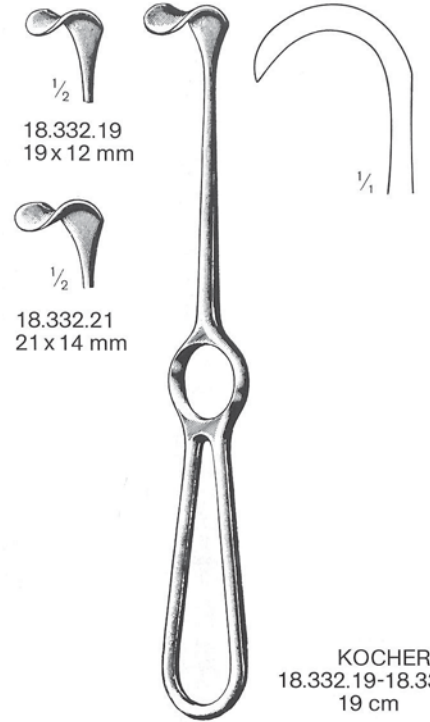
LANGENBECK
 18.317.21
 21 cm



KOCHER
18.318.40-18.318.78
23 cm



KOCHER
18.330.40-18.330.55
19 cm

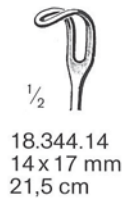


KOCHER
18.332.19-18.332.21
19 cm



KOCHER	mm
18.340.10	40x10
18.340.15	40x15
18.340.20	40x20

22 cm



18.344.14
14x17 mm
21,5 cm



18.344.20
20x22 mm
22 cm



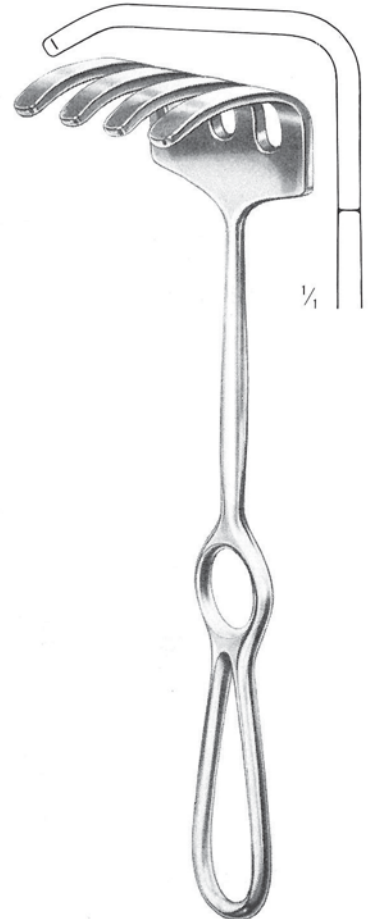
18.344.26
26x30 mm
23,5 cm



MIDDELDORPF
18.344.14-18.344.26



GREEN
18.348.22
22 cm



OLLIER
18.360.04
22,5 cm



ISRAEL
25 cm

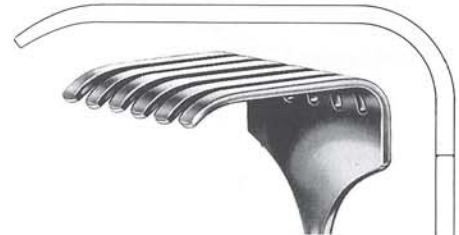
18.364.40 40x40 mm



18.364.50 45x50 mm



18.364.60 50x60 mm



18.364.70 70x70 mm



40x30 mm

— KOERTE —
18.366.08 23,5 cm 18.367.08



FRITSCH mm
 18.370.40 45x40
 18.370.50 45x50
 18.370.60 45x60
 18.370.75 45x75
 24 cm



70x25 mm

KOCHER
18.372.22
22,5 cm

KOCHER mm
 18.374.45 80x45
 18.374.55 80x55
 18.374.65 80x65
 25 cm



50 x 85 mm

DOYEN
 18.378.25
 25 cm



90 x 50 mm

18.380.35
 95 x 35 mm

18.380.50
 120 x 50 mm

18.381.50
 150 x 50 mm

MIKULICZ
 26 cm

MIKULICZ
 26 cm



18.482.82
 82 x 28 mm

18.482.73
 73 x 28 mm

1/2

18.482.45
 45 x 25 mm

1/2

MIKULICZ
 18.382.50
 26 cm

mm	KELLY
160 x 38	18.385.38
160 x 57	18.385.57
	27 cm

SIMON	mm
18.480.22	115 x 22
18.480.27	115 x 27
	28 cm

HEANEY
18.482.45-18.482.82
27 cm

18.490.65
115x65 mm

18.490.43
108x43 mm

18.490.22
82x22 mm

125x37 mm

18.494.45
45x15 mm

18.494.60
60x23 mm

18.494.75
75x20 mm

SAUERBRUCH
18.494.45-18.494.75
22,5 cm

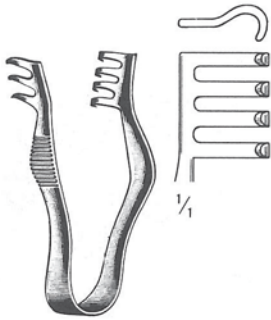
CORYLLOS (Thorax)
18.490.22-18.490.65
24 cm

SAUERBRUCH
18.492.25
25 cm

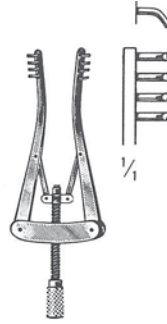
DAVIDSON (Scapula)
18.496.50
75x50 mm

DAVIDSON (Scapula)
18.496.90
75x90 mm





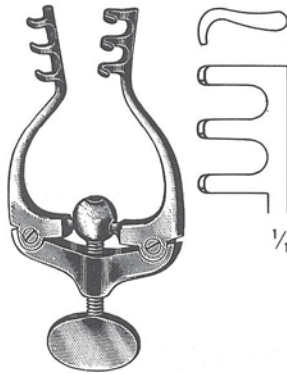
FINSEN
18.610.07 7 cm 18.611.07



ALM
18.620.07 7 cm 18.621.07
18.620.10 10 cm 18.621.10



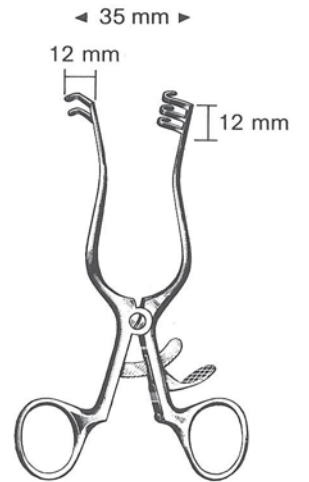
JANSEN
18.630.10
10 cm



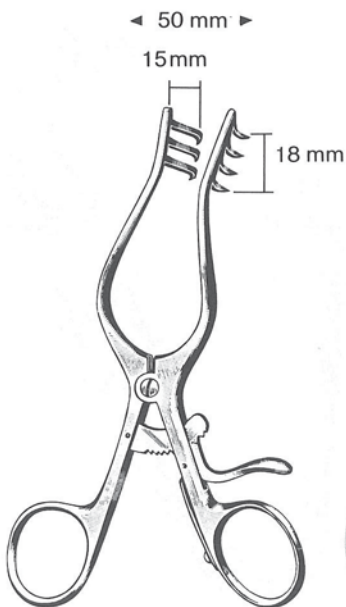
JANSEN
18.631.10
10 cm



DIMEDA
18.634.10 10 cm 18.635.10



WEITLANER
18.650.10 11,5cm 18.651.10



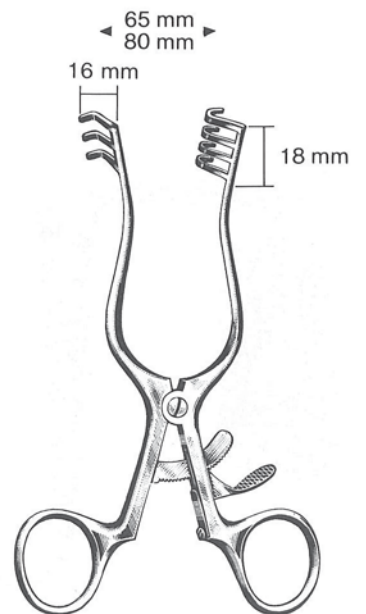
WEITLANER-WULLSTEIN
18.654.13 13 cm 18.655.13



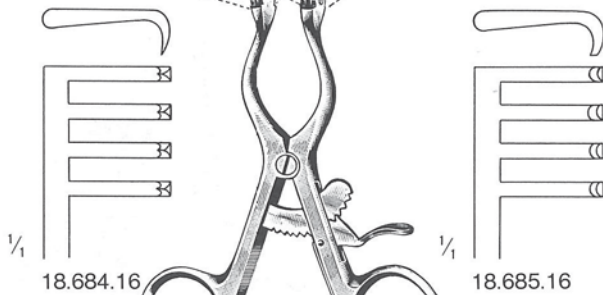
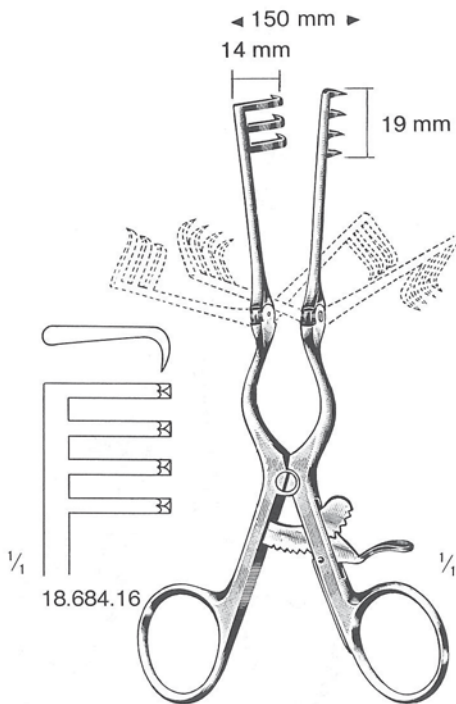
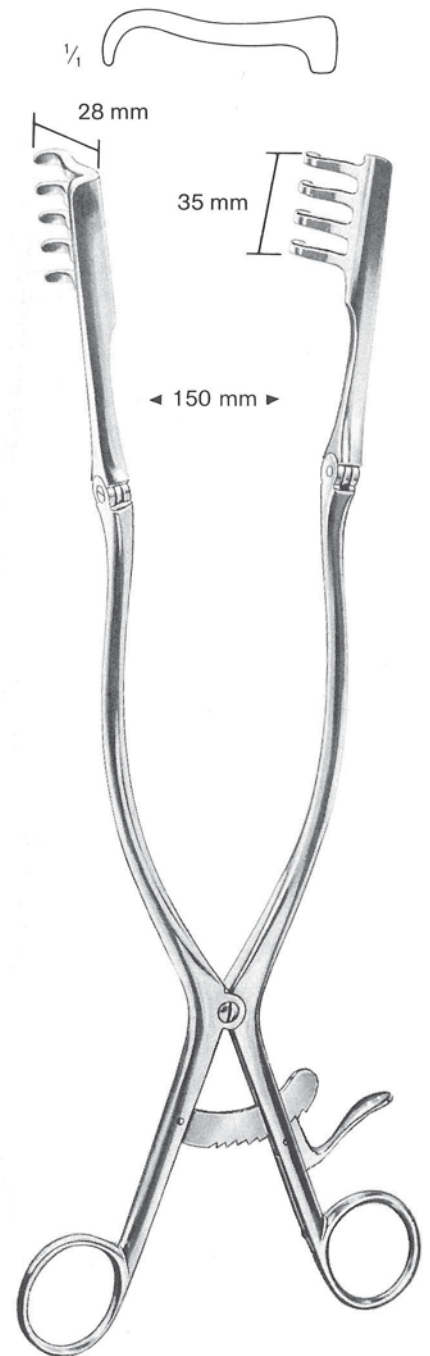
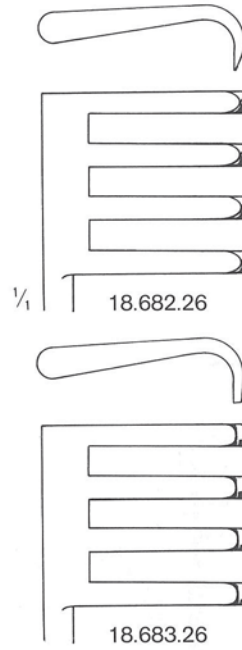
PLESTER
18.657.11
11 cm

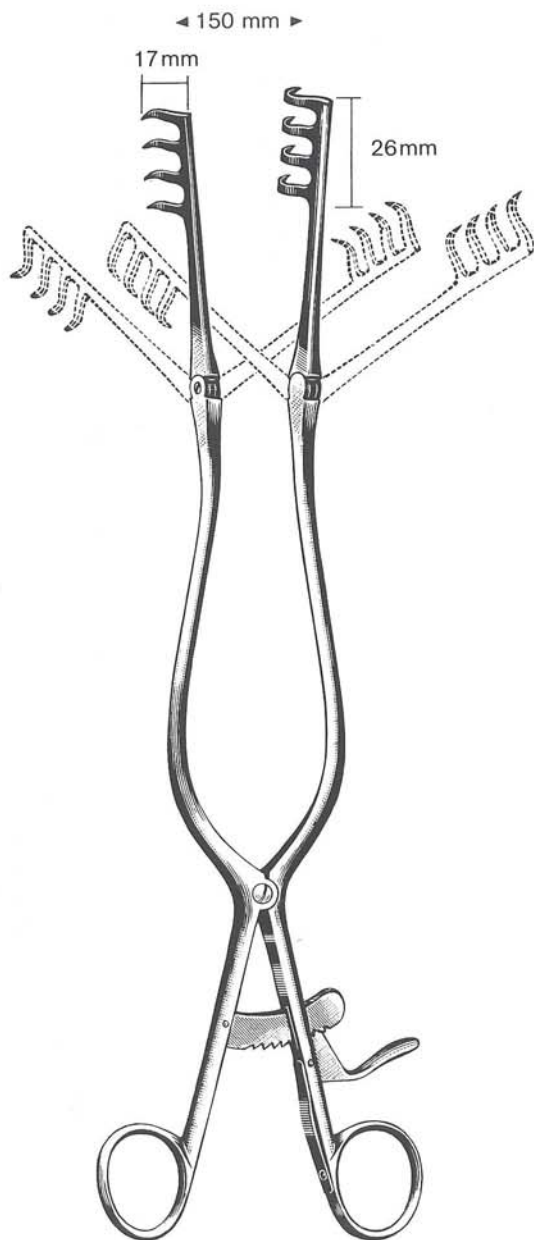


PLESTER
18.659.11
11 cm



WEITLANER
18.670.14 14,0 cm 18.671.14
18.670.16 16,5 cm 18.671.16
18.670.20 20,0 cm 18.671.20

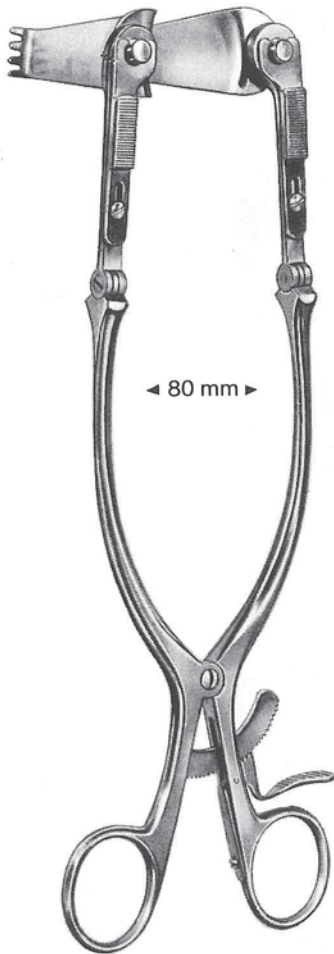
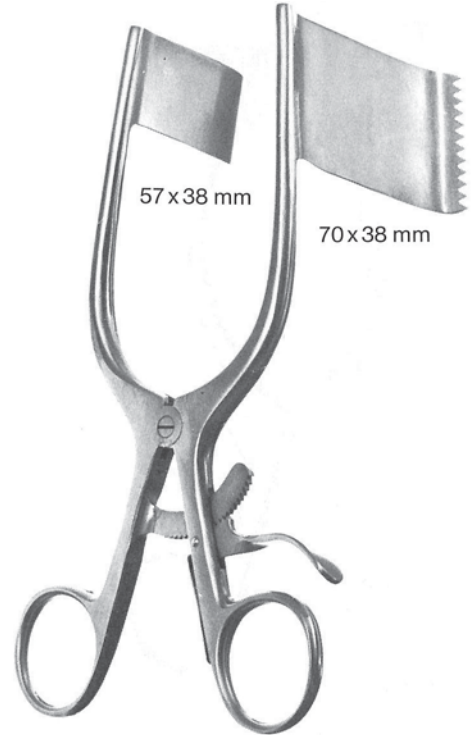
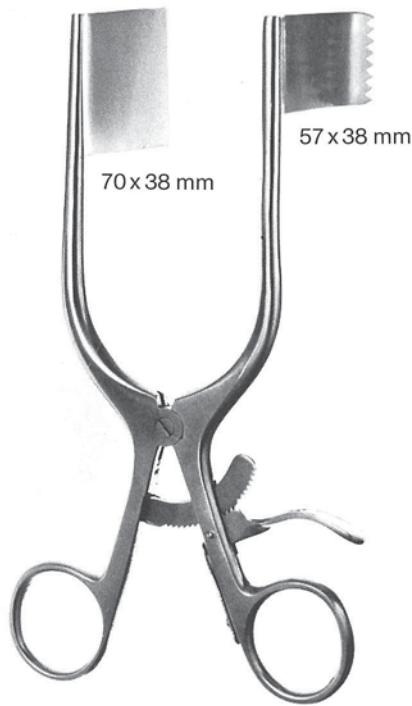
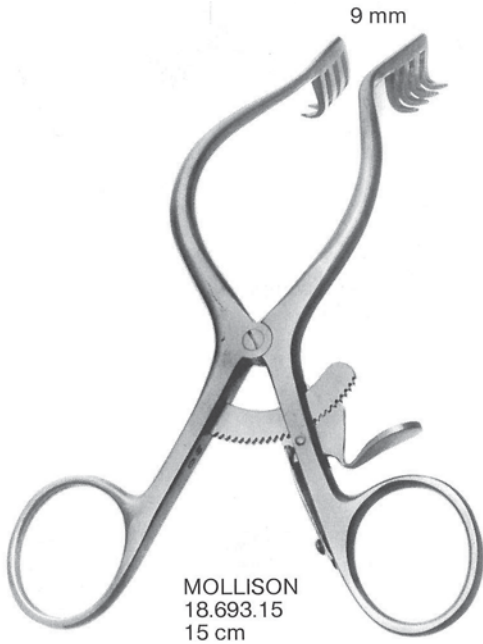




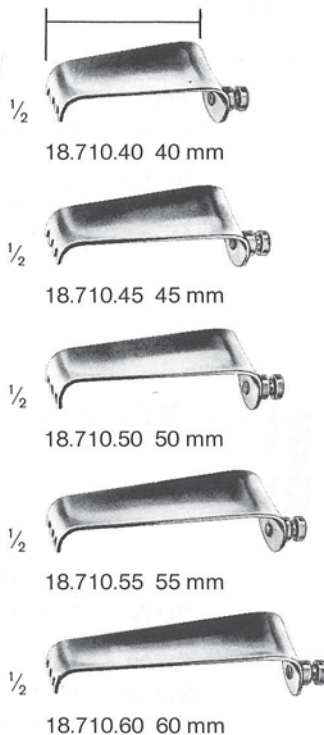
BECKMANN
18.690.31
31 cm



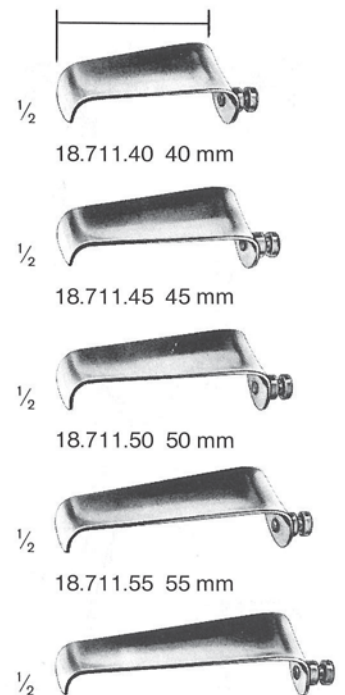
BECKMANN-EATON
18.692.32
32 cm

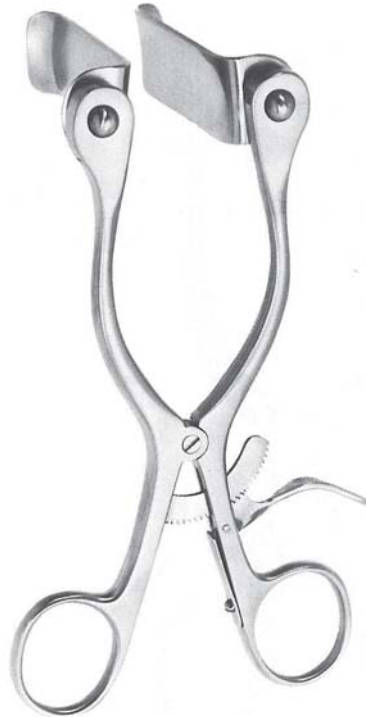


CLOWARD
18.710.00
18.710.01 ohne Valven · without blades
sans valves · sin valvas · senza valve



CLOWARD
18.711.00
18.711.01 ohne Valven · without blades
sans valves · sin valvas · senza valve





CASPAR
18.720.00 compl.
18.720.15 ohne Valven · without blades
sans valves · sin valvas · senza valve



CASPAR
18.721.00 compl.
18.721.15 ohne Valven · without blades · sans valves · sin valvas · senza valve



CASPAR
 18.724.00 compl.
 18.724.11



stumpf
 blunt
 mousse
 roma
 smussa

mm	CASPAR
45x23	18.716.45
50x23	18.716.50
55x23	18.716.55
60x23	18.716.60
65x23	18.716.65



medial

mm	CASPAR
40x23	18.718.40
45x23	18.718.45
50x23	18.718.50
55x23	18.718.55
60x23	18.718.60



lateral

mm	CASPAR
40x23	18.719.40
45x23	18.719.45
50x23	18.719.50
55x23	18.719.55
60x23	18.719.60

18.745.40
 40 mm



18.745.45
 45 mm



18.745.50
 50 mm



18.745.55
 55 mm



18.745.60
 60 mm



18.745.65
 65 mm



18.745.70
 70 mm



CASPAR

18.744.00 compl incl. 5 Valven · blades
 valves · valvas · valve

18.744.17 ohne Valven · without blades · sans valves · sin valvas · senza valve



18.747.45
 45 mm

18.747.50
 50 mm

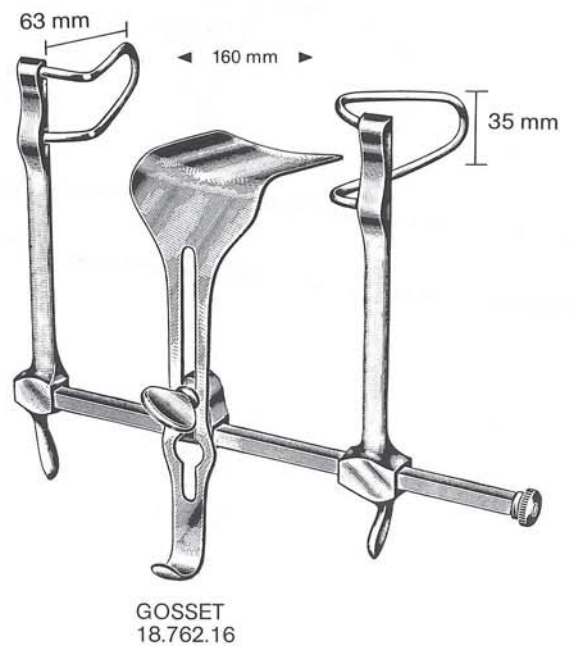
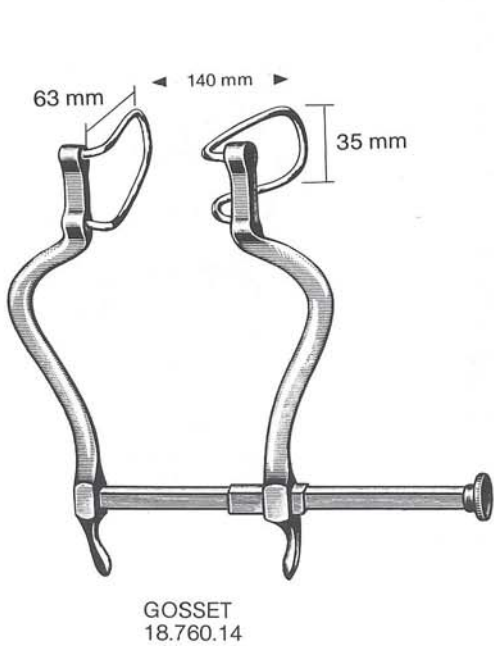
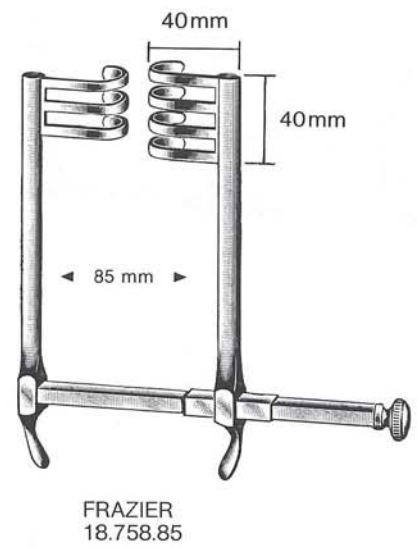
18.747.55
 55 mm

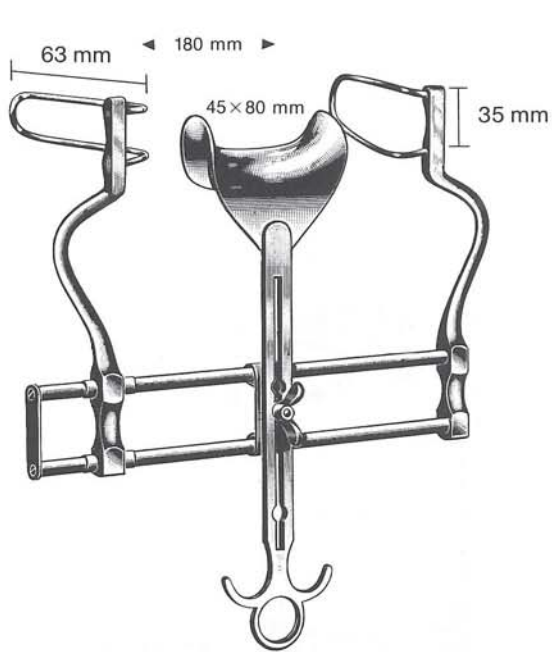
18.747.60
 60 mm

18.747.65
 65 mm

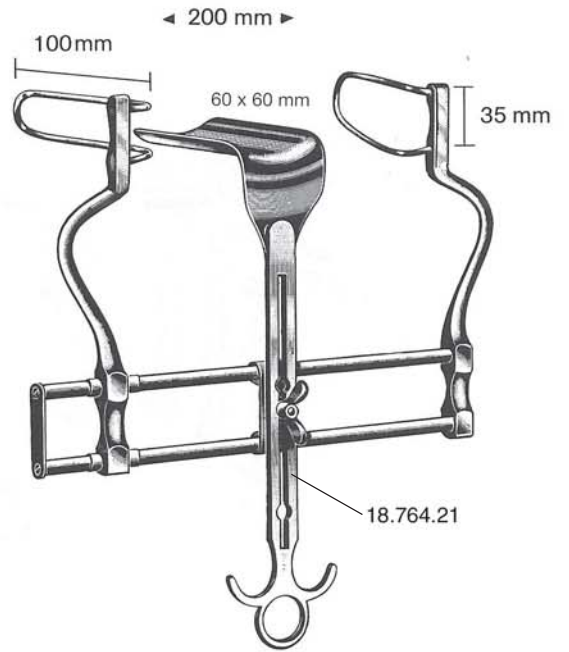


CASPAR
 18.747.45-18.747.65

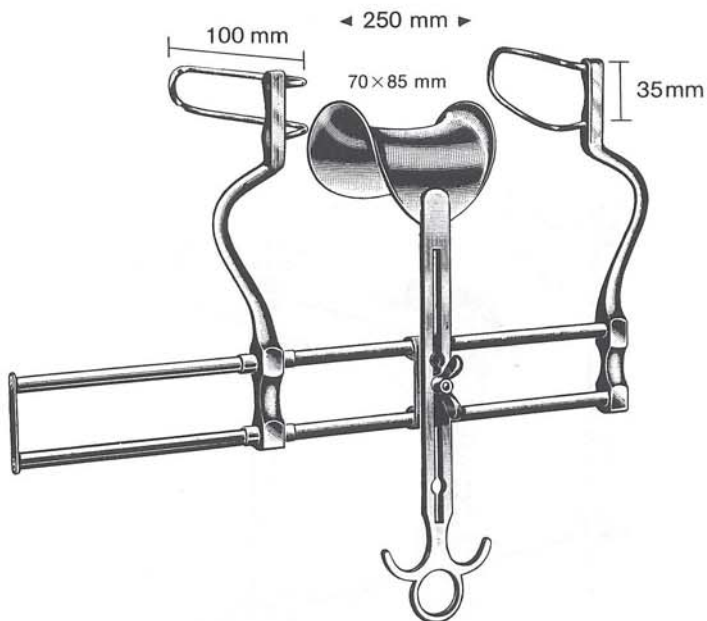




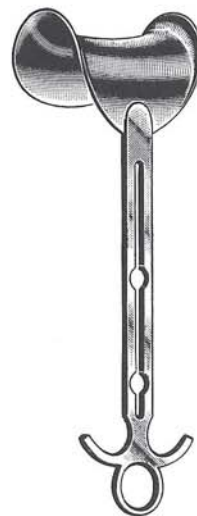
BALFOUR
 18.764.18
 18 cm



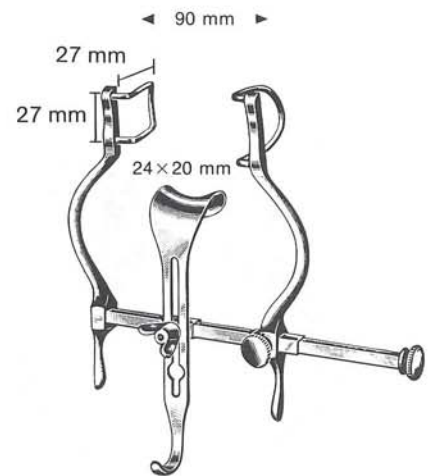
BALFOUR
 18.764.20
 20 cm



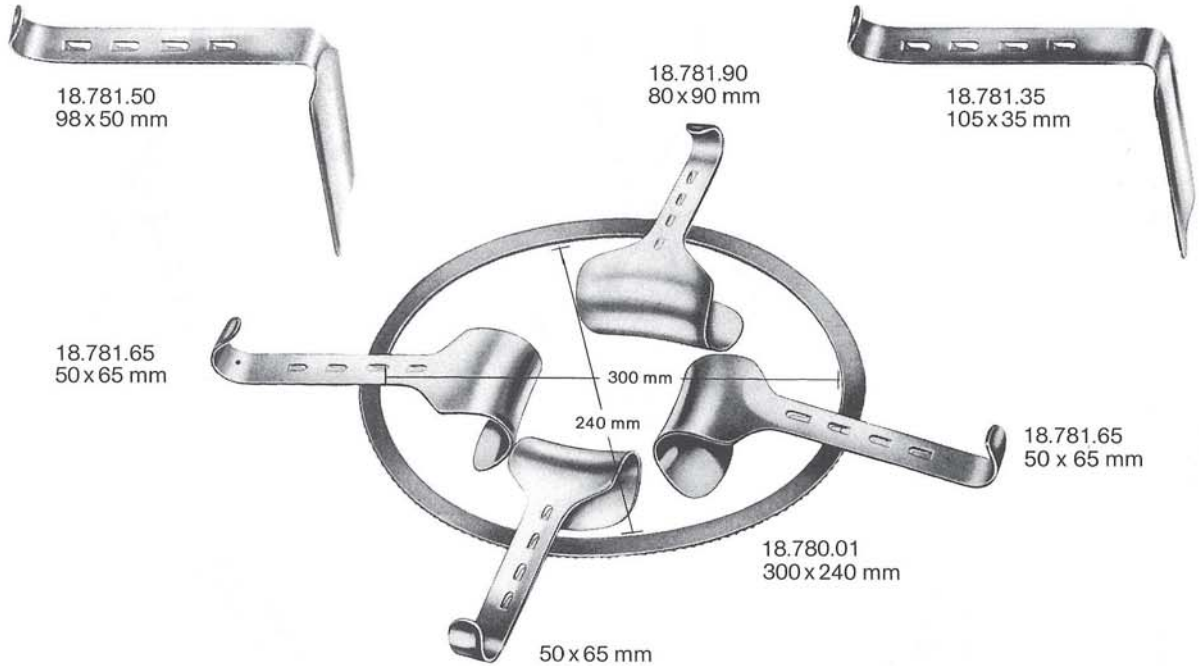
BALFOUR
 18.764.25
 25 cm



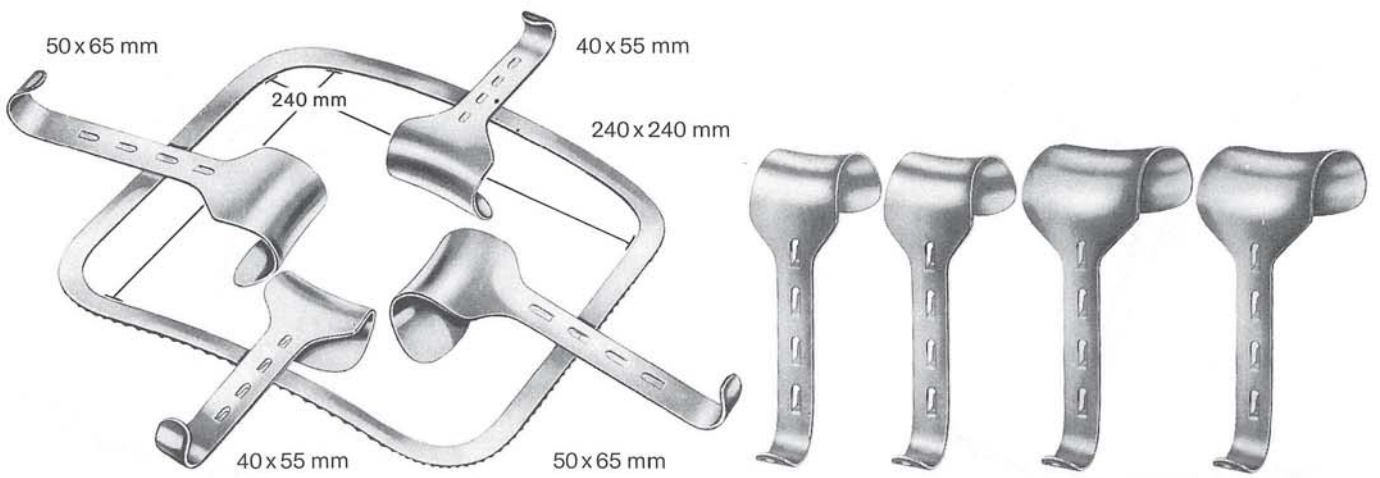
mm	BALFOUR
45 x 80	18.765.45
70 x 85	18.765.70
80 x 90	18.765.80



BALFOUR Baby
 18.766.90
 9 cm



50 x 65 mm
 KIRSCHNER
 18.780.00 compl.



18.781.55
 40 x 55 mm
 18.781.65
 50 x 65 mm

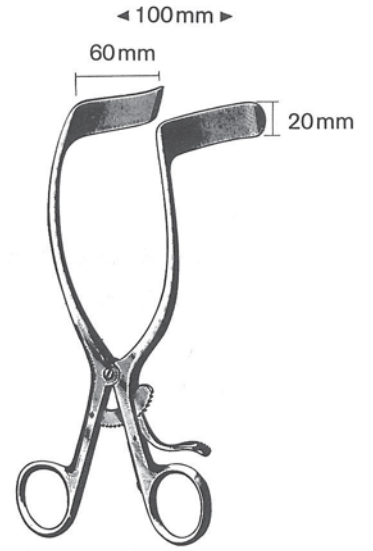
KIRSCHNER
 18.782.00 compl.



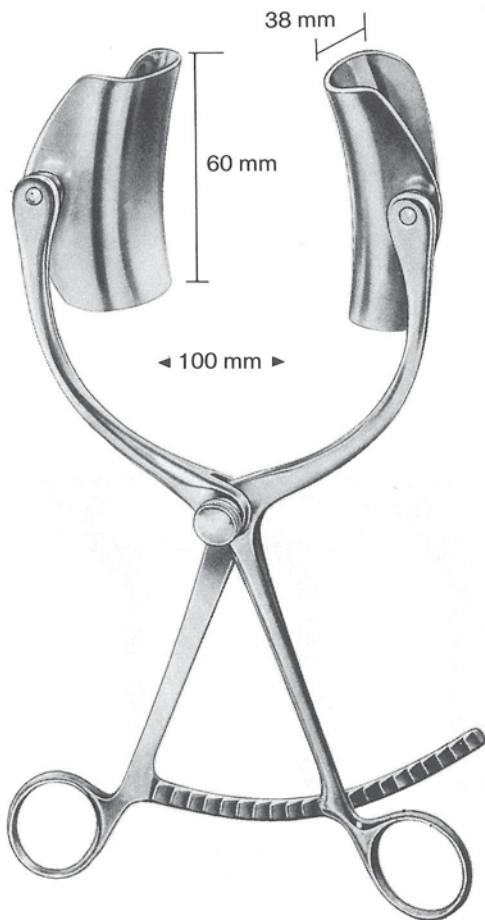
cm	GELPI
9	18.802.09
14	18.802.14
16	18.802.16
18	18.802.18



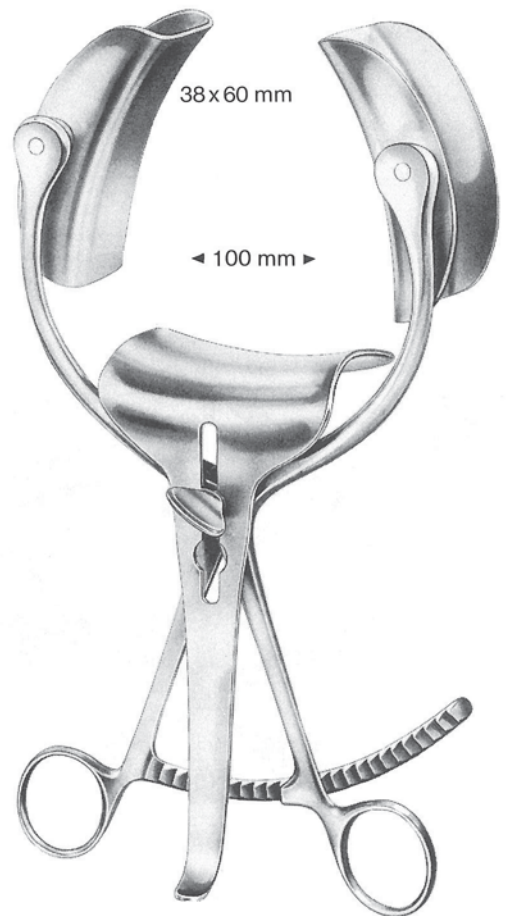
GELPI
 18.804.18
 18 cm



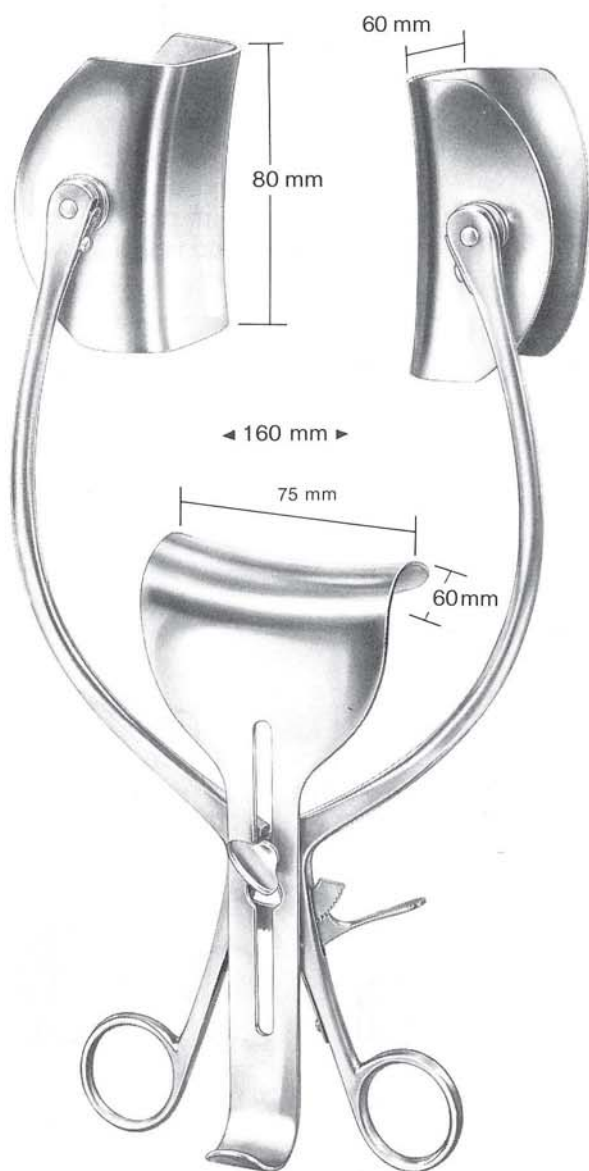
RIGBY
 18.806.18
 18 cm



COLLIN
 18.810.22



Central/mm	COLLIN
38x55	18.812.60
50x75	18.812.80



COLLIN Loktite
18.816.00

Muskelhaken
Muscle Retractors (Hooks)
Ecarteurs musculaires
Separadores (ganchos) musculares
Divaricatori (unicini) muscolari



18.902.10
10 cm



18.903.00

dimeda[®]

SURGICAL INSTRUMENTS